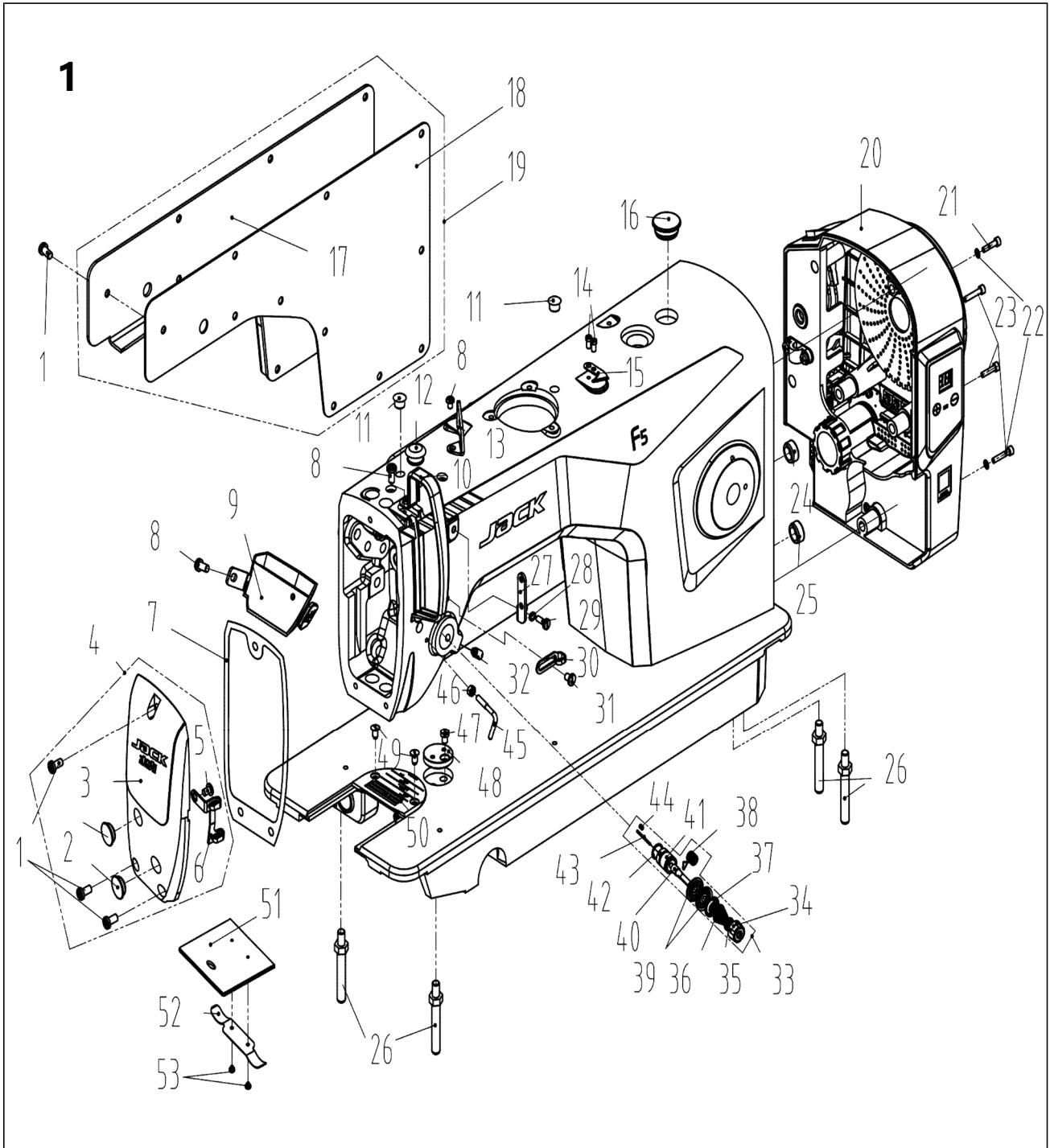


JACK 杰克

快速服务 100%

F5 系列
F5 Series

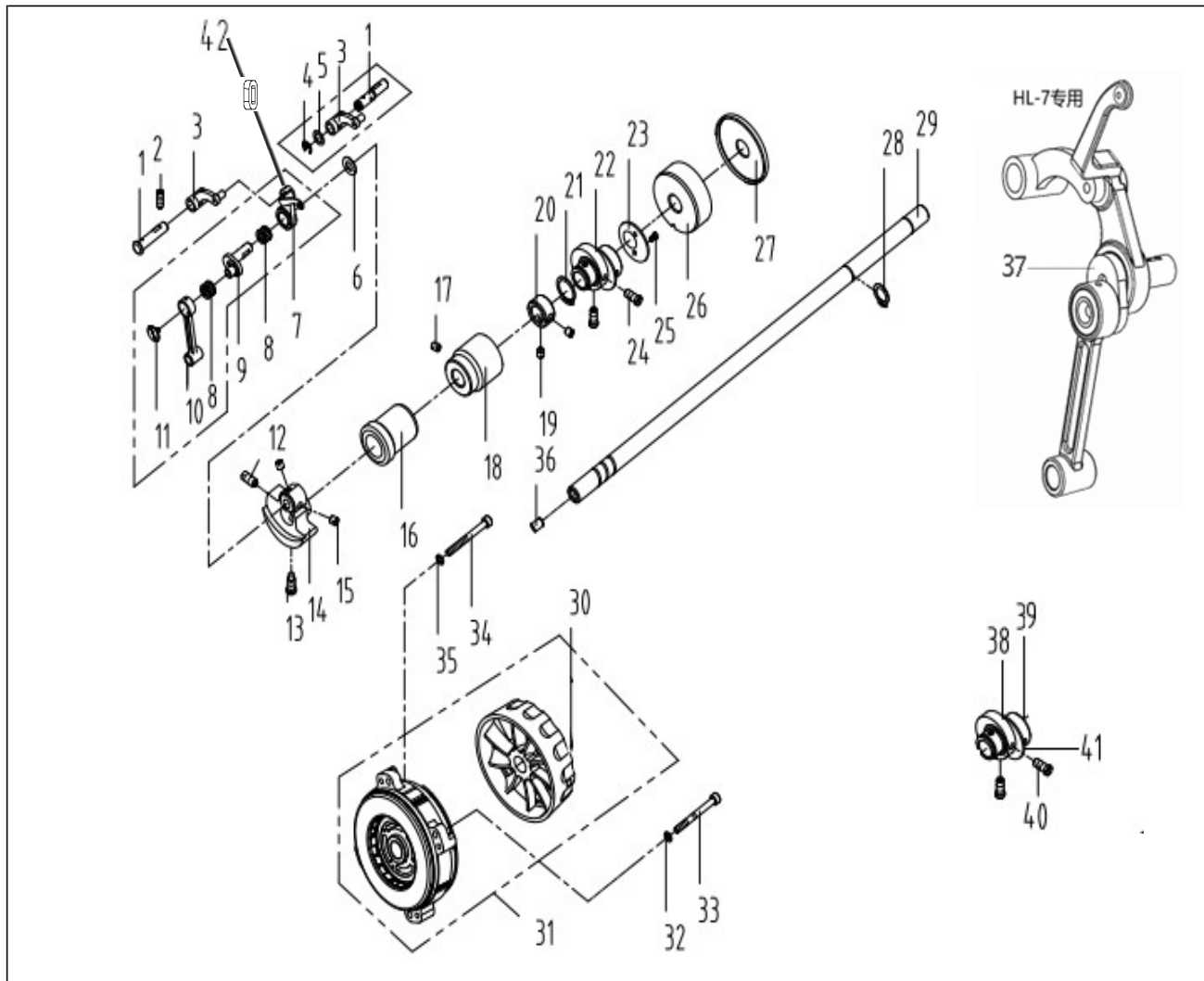
零件手册
Parts Manual



1. 机壳、外装分组件/Machine Frame & Miscellaneous Cover Components

序号 NO	公司件号 Part NO	名称 PartName	零件描述 Description	数量 Number
1	101S11001	螺钉SM3/16"×28 L=9	Screw SM3/16"×28 L=9	14
2	10122003	面板调节孔螺塞	Rubber plug	2
3	110201010	面板	Face plate	1
4	930000981	面板(喷漆)	Face plate (spray paint)	1
5	101S11007	螺钉SM11/64"×40 L=6	Screw SM11/64"×40 L=6	1
6	13813005	左线钩	Thread guide left	1
7	110222006	面板垫	Face plate gasket	1
8	101S11004	螺钉SM3/16"×28 L=7	Screw SM3/16"×28 L=7	3

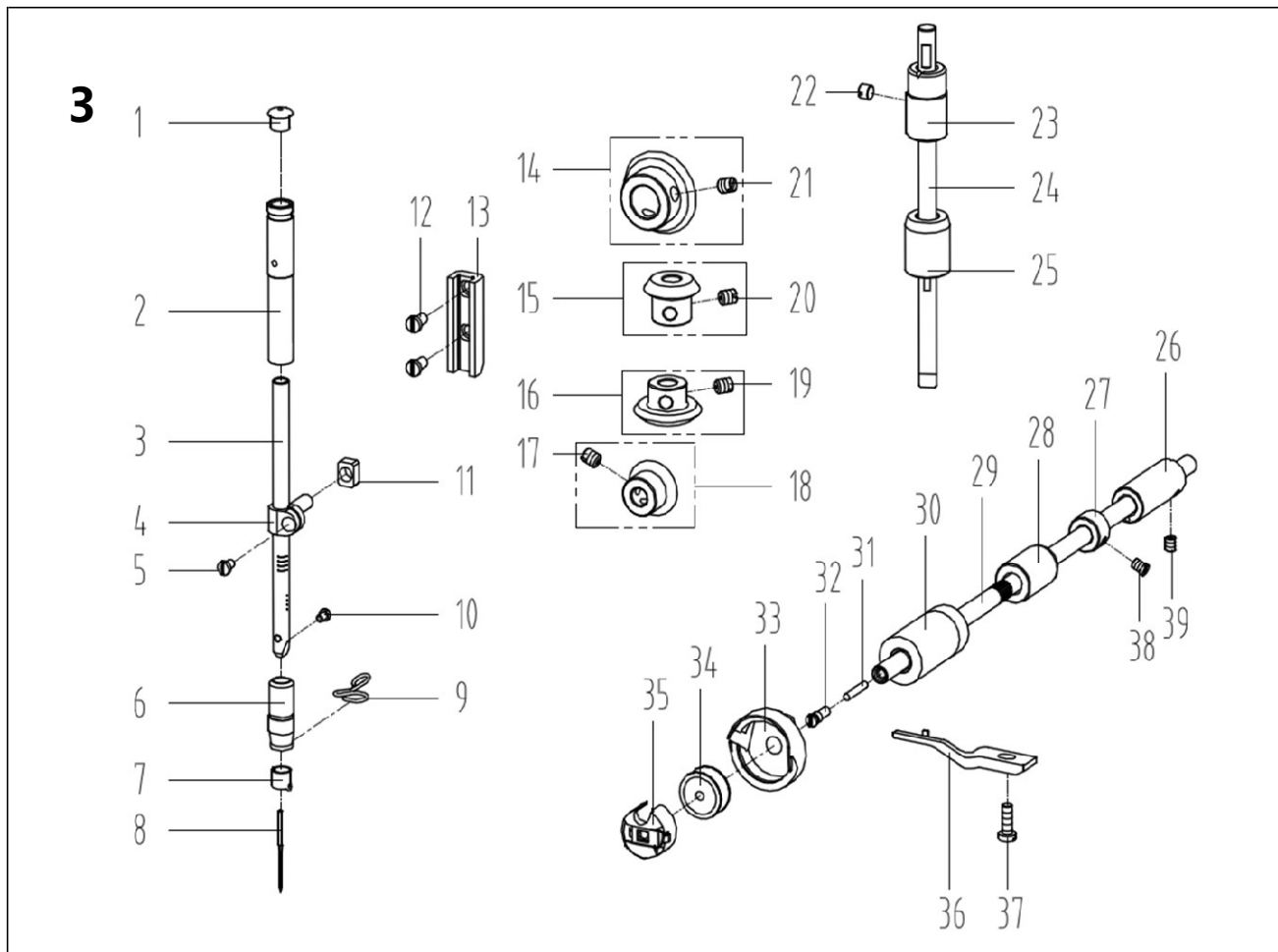
9	11023000900	LED开关灯组件	Auto reverse feed switch asm	1
10	13812018	挑线杆防护罩	Thread take-up lever cover	1
11	10122005	挑线连杆销螺孔塞	Rubber plug	2
12	10122004	针杆曲柄螺孔塞	Rubber plug	1
13	13512004	三孔线勾	3-hole thread guide	1
14	114S11015	螺钉SM9/64"×40 L=6	Screw SM9/64"×40 L=6	2
15	11419001	割线刀	Knife	1
16	20722002	油塞	Rubber plug	1
17	110212007	后窗板	Side plate	1
18	110222005	后窗板垫	Side plate gasket	1
19	930000982	后窗板(喷漆)	Side plate (spray paint)	1
20	11013002900	平缝一体机控制器(T19)	Electronic control box	1
21	114S13001	螺钉M5 L=20	Screw M5 L=20	1
22	W01009	垫圈 5	Washer 5	4
23	114S30001	螺栓M5 L=25	Screw M5 L=25	3
24	10122006	送料调节器孔塞	Rubber plug	1
25	10122007	下轴工艺孔塞	Rubber plug	1
26	101S12001	底板支柱	Machine head stud Electronic	4
27	10113041	二眼线勾	2-hole thread guide	1
28	W06001	双面齿垫圈	Washer	1
29	206S11002	螺钉SM9/64"×40 L=10	Screw SM9/64"×40 L=10	1
30	10113004	右线钩	Thread guide right	1
31	101S15010	螺钉SM15/64"×28 L=10.5	Screw SM15/64"×28 L=10.5	1
32	101S11007	螺钉SM11/64"×40 L=6	Screw SM11/64"×40 L=6	1
33	1381300500	夹线器组件	Thread tension asm	1
	1381300700	夹线器组件 (厚料)	Thread tension asm (H)	1
34	138S16013	夹线螺母	Thread tension nut	1
35	10112007	夹线制动板	Thread disk rotating stopper	1
36	10127002	夹线弹簧	Thread tension spring	1
	11427050	夹线弹簧 (厚料)	Thread tension spring (H)	1
37	10112006	松线板	Disk stopper	1
38	10127001	挑线簧	Thread take-up spring	1
	10127031	挑线簧 (厚料)	Thread take-up spring (H)	1
39	10112005	夹线板	Thread tension disk	2
40	101S30002	夹线螺钉	Thread tension post	1
41	10103011	挑线簧调节座	Thread tension base	1
42	10122014	挑线簧调节座O型圈	Rubber ring	1
43	10126030	松线钉	Tension release pin	1
44	101S15005	螺钉SM9/64"×40 L=5.5	Screw SM9/64"×40 L=5.5	1
45	11413011	固定式缓线钩	Thread guide	1
46	401S16001	螺母SM9/64"×40	Nut SM9/64"×40	1
47	101s11002	螺钉SM11/64"×40 L=5.5	Screw SM11/64"×40 L=5.5	1
48	13812111	卷边器座	Ruler stop seat	1
49	101S17002	螺钉SM11/64"×40 L=5	Screw SM11/64"×40 L=5	2
50	11414006	针板	Needle plate	1
	10815001	针板 (-7)	Needle plate (-7)	1
	11315001	针板 (厚料)	Needle plate (H)	1
	13615003	针板 (HL-7)	Needle plate (HL-7)	1
51	10115002	推板	Slide plate	1
52	10127009	推板簧	Slide plate spring	1
53	101S11019	螺钉SM3/32"×56 L=2	Screw SM3/32"×56 L=2	2



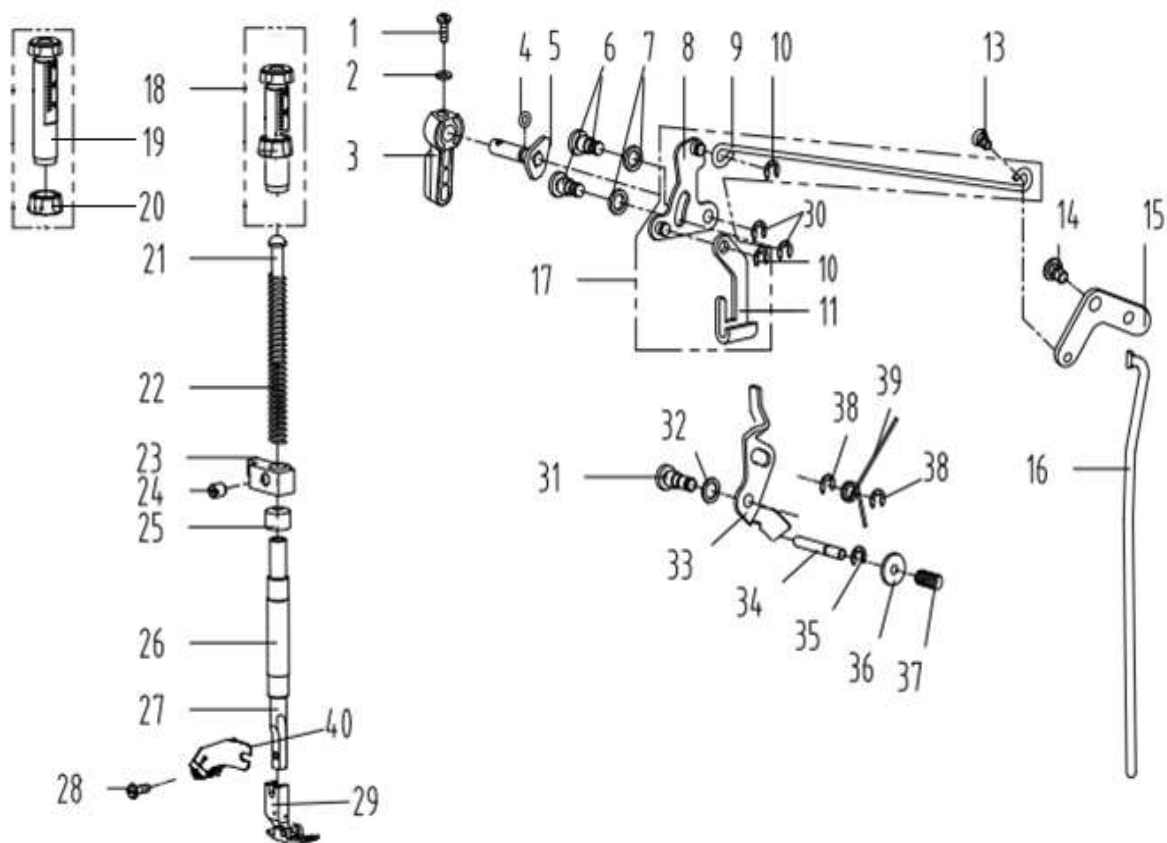
2. 上轴挑线分组件/Main Shaft & Thread Take-up Components

序号 NO	公司件号 Part NO	名称 PartName	零件描述 Description	数量 Number
1	10126001	挑线连杆销 (厚料)	Thread take-up connecting rod pin (H)	1
	11326013	挑线连杆销	Thread take-up connecting rod pin	1
	11326010	挑线连杆销 (-7)	Thread take-up connecting rod pin (-7)	1
2	101S15001	螺钉SM15/64"x28 L=15	Screw SM15/64"x28 L=15	1
3	10105001	挑线连杆 (厚料)	Thread take-up connecting rod (H)	1
	11305010	挑线连杆	Thread take-up connecting rod	1
4	H05013	挡圈6	Snap ring 6	1
5	11328010	垫片	Washer	1
6	10112003	针杆曲柄护板	Needle bar crank protecting plate	1
7	1013800100	挑线杆分组件	Thread take-up lever asm	1
	1133800200	挑线杆分组件 (厚料、-7)	Thread take-up lever asm (H & -7)	1
8	10124001	挑线杆滚针轴承	Needle bearing	1
9	11310012	挑线曲柄分部件	Thread take-up crank	1
	1011000400	挑线曲柄分部件 (厚料)	Thread take-up crank (H)	1
	11310010	挑线曲柄分部件 (-7)	Thread take-up crank (-7)	1
10	10105002	针杆连杆	Needle bar connecting rod	1
11	101S17001	螺钉SM9/64"x40 (左旋) L=4.8	Screw SM9/64"x40 (left hand) L=4.8	1
12	101S15004	螺钉SM9/32"x28 L=16	Screw SM9/32"x28 L=16	1
13	101S11003	螺钉SM9/32"x28 L=16	Screw SM9/32"x28 L=16	1
14	113804014	针杆曲柄	Needle bar crank	1
	11404035	针杆曲柄 (厚料、-7)	Needle bar crank (H & -7)	1
15	101S15002	螺钉SM1/4"x40 L=6	Screw SM1/4"x40 L=6	2
16	11380302600	上轴前轴套组件	Main shaft bushing front	1
	1010300400	上轴前轴套组件 (厚料)	Main shaft bushing front (H)	1
17	101S15010	螺钉SM15/64"x28 L=10.5	Screw SM15/64"x28 L=10.5	1
18	10403023	主轴中轴套	Main shaft bushing mid	1
19	101S14001	螺钉SM1/4"x40 L=6	Screw SM1/4"x40 L=6	2
20	10108001	上轴挡圈	Main shaft thrust collar	1
21	H03002	挡圈20	Snap ring 20	1
22	11310014	送料偏心轮	Feed eccentric cam	1
	400006	送料偏心轮 (厚料)	Feed eccentric cam (H)	1
23	10112017	送料偏心轮盖板	Cover plate	1
24	101S11013	螺钉SM1/4"x40 L=13	Screw SM1/4"x40 L=13	2

25	113S11003	螺钉SM9/64"x40 L=5	Screw SM9/64"x40 L=5	2
26	12803014	上轴后轴套	Main shaft bushing rear	1
27	10122008	上轴后套挡油油封	Oil seal	1
28	H03001	挡圈15	Snap ring 15	1
29	10102026	上轴	Main shaft	1
30	303560	手轮	Handwheel	1
31	110233016	平缝一体机电机	Motor	1
32	W03002	弹垫5	Spring washer 5	3
33	114S13001	螺钉M5 L=20	Screw M5 L=20	3
34	S05218	螺钉M5 L=22	Screw M5 L=22	1
35	W03002	弹垫5	Spring washer 5	1
36	10122012	上轴孔塞	Rubber plug	1
37	1013800300	挑线杆大组件 (HL专用)	Thread take-up lever asm (HL)	1
38	1011001100	抬牙凸轮组件 (HL专用)	Cam (HL)	1
39	1011001200	送料凸轮组件 (HL专用)	Cam (HL)	1
40	135S15007	螺钉SM11/64"×40 (HL专用)	Screw SM11/64"×40 (HL)	6
41	13528002	凸轮隔离片 (HL专用)	Cam plate (HL)	1
42	14422008	挑线杆断油橡胶	Thread take-up lever rubber	1



4



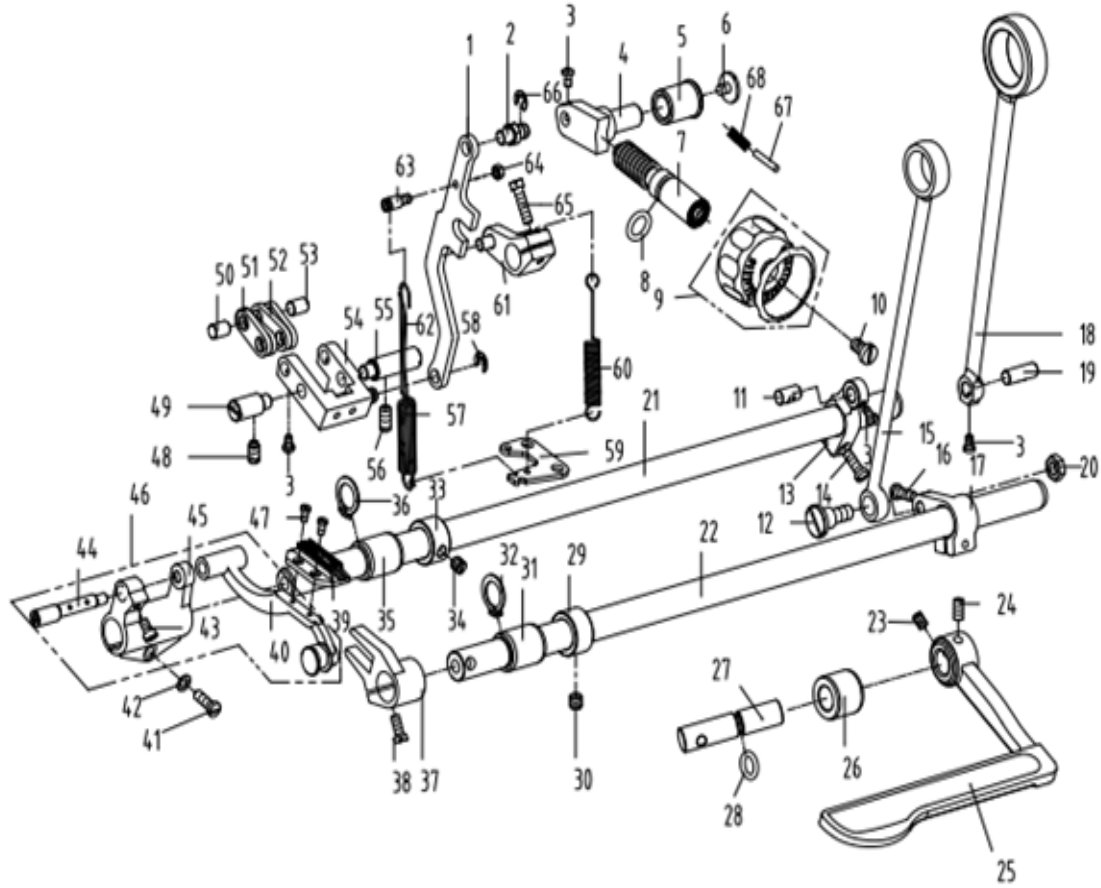
4. 压料分组件/Presser Bar Components

序号 NO	公司件号 Part NO	名称 PartName	零件描述 Description	数量 Number
1	101S11010	螺钉SM9/64"x40 L=11	Screw SM9/64"x40 L=11	1
2	10128002	压脚扳手螺钉垫圈	Washer	1
3	13811029	压脚扳手	Hand lifter	1
4	O01004	O型圈	Rubber ring	1
5	1011000200	压脚扳手凸轮分部件	Hand lifter cam asm.	1
6	101S20001	前杠杆螺纹销	Screw	2
7	10128015	螺纹销橡胶垫圈	Washer	2
8	1011200100	抬压脚前杠杆分部件	Lift front lever component	1
9	10112013	抬压脚拉杆	Knee lifter pull rod	1
10	H05003	挡圈5	Snap ring 5	2
11	10112010	压脚升降板	Lifting plate	1
13	101S20004	螺钉SM3/16"x32	Hinge Screw SM3/16"x32	1
14	101S20003	螺钉SM15/64"x28	Hinge screw SM15/64"x28	1
15	10112014	抬压脚后杠杆	Knee lifter back lever	1
16	10112015	抬压脚顶杆	Knee lifter connecting rod	1
17	1011200200	抬压脚前杠杆组件	Knee lifter lever asm	1
18	11381101800	调压螺钉组件	Presser regulating screw nut asm	1
19	1138NS30003	调压螺钉 (厚料)	Press regulating screw (H)	1
20	1138NS16005	调压螺母 (厚料)	Press regulating nut (H)	1
21	10102003	调压导杆	Press regulating guide bar	1
22	113827010	调压簧	Press regulating spring	1
	10127024	调压簧 (厚料)	Press regulating spring (H)	1
23	13809030	压杆导架	Presser bar guide bracket	1
24	101S15007	螺钉SM1/4"x40 L=8	Screw SM1/4"x40 L=8	1
25	10122112	压杆防油套	Pressure bar oil cover	1
26	10103012	压杆衬套	Presser bar bushing	1
27	10102004	压杆	Presser bar	1
28	101S11009	螺钉SM9/64"x40 L=10.5	Screw SM9/64"x40 L=10.5	1
29	1131600600	压脚组件	Presser foot asm	1
	1131600100	压脚组件 (厚料)	Presser foot asm (H)	1
	1131600300	压脚组件 (HL)	Presser foot asm (HL)	1
30	11329020	挡圈 5	Snap ring 5	5
31	101S20002	松线顶板螺纹销	Wire release plate pin	1
32	10128015	螺纹销橡胶垫圈	Washer	1
33	10112012	松线顶板	Wire release plate asm	1
34	10126003	松线辅钉	Thread release supporting pin	1
35	H05012	松线辅钉挡圈	Snap ring	1
36	10128001	松线辅钉垫片	Washer plate	1

37	10127003	松线辅钉弹簧	Spring	1
38	H05003	挡圈5	Snap ring 5	2
39	10127008	松线顶板复位簧	Spring	1
40	1011900100	割线刀组件	Knife	1

3. 针杆、竖轴、下轴部件/Needle bar & Upright Shaft & Hook Driving Shaft Components

序号 NO	公司件号 Part NO	名称 PartName	零件描述 Description	数量 Number
1	10122013	针杆上衬套孔塞	Rubber plug	1
2	10103009	针杆上衬套	Needle bar bushing upper	1
3	10102002	针杆	Needle bar	1
	10102021	针杆 (厚料)	Needle bar (H)	1
4	10138002	针杆连接柱	Needle bar connecting rod	1
	13505003	针杆连接柱 (HL)	Needle bar connecting rod (HL)	1
5	101S11005	螺钉 SM9/64"x40 L=6	Screw SM9/64"x40 L=6	1
6	110103002	针杆下衬套	Needle bar bushing lower	1
	10103023	针杆下衬套 (厚料、-7)	Needle bar bushing lower (H & -7)	1
7	10113002	针杆线勾	Needle bar thread guide	1
	11412063	针杆线勾 (厚料)	Needle bar thread guide (H)	1
8	10117001	机针DB×1#14	Needle DB×1#14	1
	10117002	机针DP×5#21 (厚料)	Needle DP×5#21 (H)	1
9	10413001	针杆下衬套线勾	Lower bushing thread guide	1
	10113009	针杆下轴套线勾 (厚料、-7)	Lower bushing thread guide (H & -7)	1
10	101S11006	螺钉SM1/8"x44 L=4.5	Screw SM1/8"x44 L=4.5	1
11	10109001	针杆连接柱滑块	Slide block	1
12	101S11008	螺钉SM11/64"x40 L=8	Screw SM11/64"x40 L=8	2
13	10109002	针杆接头滑块导轨	Needle bar guide	1
14	10425004	上轴伞齿轮	Upper shaft bevel gear	1
15	10425003	竖轴上伞齿轮	Upper small bevel gear asm	1
16	10425002	竖轴下伞齿轮	lower large bevel gear asm	1
17	101S15007	螺钉SM1/4"x40 L=7	Screw SM1/4"x40 L=7	2
18	10425001	下轴伞齿轮	Hook drive shaft bevel gear	1
19	101S15007	螺钉SM1/4"x40 L=7	Screw SM1/4"x40 L=7	2
20	101S15007	螺钉SM1/4"x40 L=7	Screw SM1/4"x40 L=7	2
21	101S15007	螺钉SM1/4"x40 L=7	Screw SM1/4"x40 L=7	2
22	101S15006	螺钉SM15/64"x28 L=4.7	Screw SM15/64"x28 L=4.7	1
23	10403014	竖轴上轴套	Upright shaft bushing upper	1
24	10102007	竖轴	Upright shaft	1
25	10403013	竖轴下轴套	Upright shaft bushing lower	1
26	10103079	下轴后轴套	Hook driving shaft bushing back	1
27	10108002	下轴挡圈	Hook driving shaft snap ring	1
28	10122015	下轴油封	Thrust collar	1
29	10102006	下轴	Hook driving shaft	1
	12202003	下轴 (HL)	Hook driving shaft (HL)	1
30	10103078	下轴前轴套	Hook driving shaft bushing front	1
31	10123009	下轴限油芯	Oil wick	1
32	101S30005	下轴限油螺钉SM3/16"×32	set screw SM3/16"×32	1
33	10118006	旋梭	Hook asm	1
	10118007	旋梭 (厚料)	Hook asm (H)	1
	10818001	旋梭 (HL)	Hook asm (HL)	1
34	10118003	梭心	Bobbin	1
	10818501	大梭心 (HL)	Bobbin (HL)	1
35	10118021	梭壳	Bobbin case asm	1
	10818502	梭壳 (HL)	Bobbin case asm (HL)	1
36	10112016	旋梭定位钩	Finger positioner	1
	10112032	旋梭定位钩 (厚料)	Finger positioner (H)	1
37	101S11011	螺钉SM11/64"×40 L=13	Screw SM11/64"×40 L=13	1
38	101S11012	螺钉SM11/64"×40 L=4.8	Screw SM11/64"×40 L=4.8	2
39	101S15006	螺钉SM11/64"×40 L=7	Screw SM11/64"×40 L=7	1

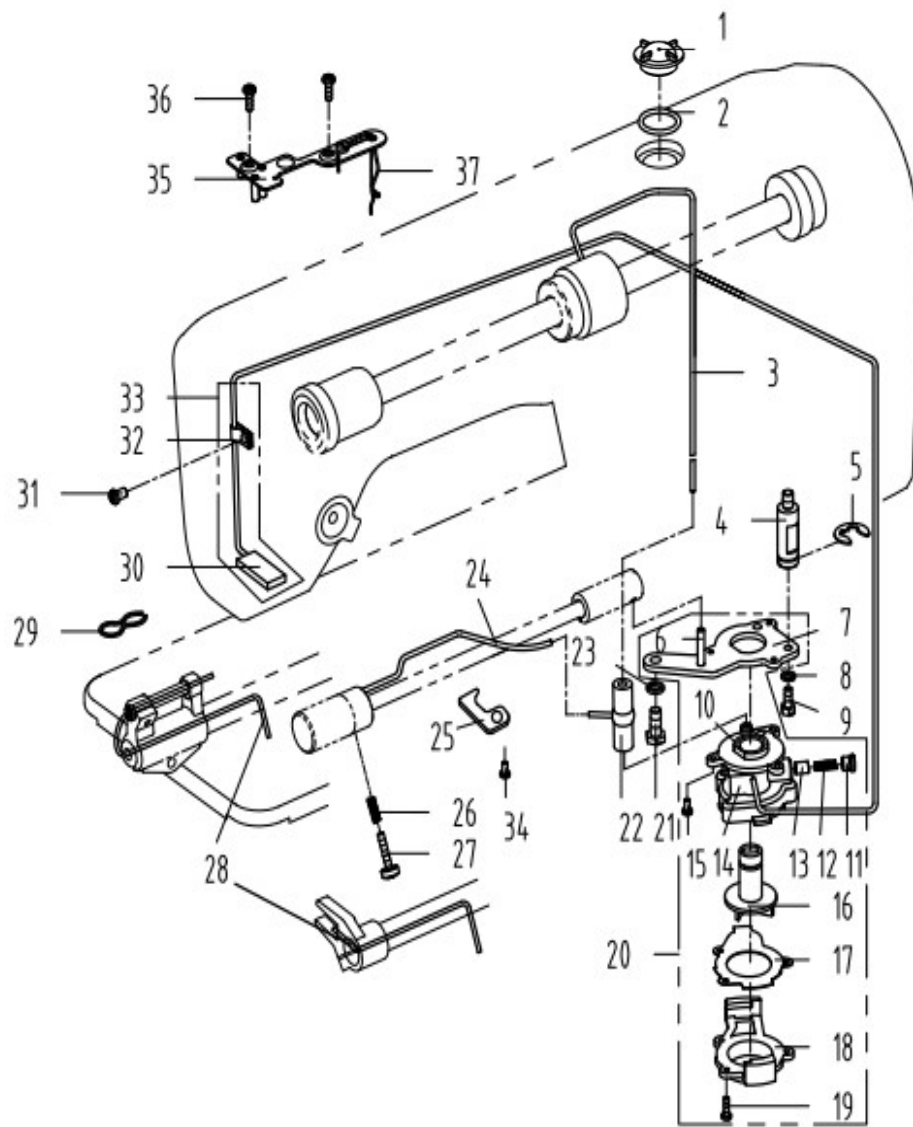


5. 送料分组件/Feed Mechanism Components

序号 NO	公司件号 Part NO	名称 PartName	零件描述 Description	数量 Number
1	10105007	倒送料连杆	Reverse feed connecting rod	1
2	11426021	倒送料连杆销	Connecting rod pin	1
	11326011	倒送料连杆销 (-7)	Connecting rod pin (-7)	1
3	101S11005	螺钉SM9/64"x40 L=6	Screw SM9/64"x40 L=6	6
4	10101053	送料调节器	Feed regulator	1
5	10403017	送料调节器轴套	Feed regulator bushing	1
6	101S11023	螺钉SM3/16"x28 L=6.5	Screw SM3/16"x28 L=6.5	1
7	10126045	标盘螺柱	Feed regulator stud	1
8	10122016	送料调节螺钉O形圈	Rubber ring	1
9	1011107000	标盘旋钮组件	Knob component	1
	1011107100	标盘旋钮组件 (-7)	Knob component (-7)	1
10	101S11022	螺钉SM3/16"x28 L=18	Screw SM3/16"x28 L=18	1
11	10126011	送料曲柄销	Feed rocker crank pin	1
12	101S20005	螺钉SM9/32"x28 L=13.5	Screw SM9/32"x28 L=13.5	1
13	10104002	送料曲柄	Feed rocker shaft crank	1
	11304010	送料曲柄 (-7)	Feed rocker shaft crank (-7)	1
	10104009	送料曲柄 (HL)	Feed rocker shaft crank (HL)	1
14	101S11016	螺钉SM3/16"x28 L=14	Screw SM3/16"x28 L=14	1
15	400093	抬牙连杆	Connecting rod	1
16	101S11016	螺钉SM3/16"x28 L=14	Screw SM3/16"x28 L=14	1
17	10104004	抬牙后曲柄	Feed driving shaft crank	1
18	400091	送料连杆	Rocker shaft connecting rod	1
	400083	送料连杆 (-7)	Rocker shaft connecting rod (-7)	1
	10105052	送料连杆 (HL)	Rocker shaft connecting rod (HL)	1
19	10126006	送料连杆销	Connecting rod pin	1
20	101S16003	螺母SM9/32"x28 L=4	Hinge Screw SM9/32"x28 L=4	1
21	10102008	送料轴	Feed rocker shaft	1
22	11202001	抬牙轴	Feed driving shaft	1
23	101S15006	螺钉SM15/64"x28 L=7	Screw SM15/64"x28 L=7	1
24	101S15013	螺钉SM15/64"x28 L=10	ScrewSM15/64"x28 L=10	1
25	10131086	倒缝扳手	Reverse feed lever	1
26	10103024	倒送料轴轴套	Reverse feed shaft bushing back	1

27	10102023	倒缝送料轴	Reverse feed shaft	1
28	10122017	倒送料轴O形圈	Rubber ring	1
29	10108003	送料轴挡圈	Feed rocker shaft snap ring	4
30	101S15002	螺钉SM1/4"x40 L=6	Screw SM1/4"x40 L=6	2
31	10403015	轴套	Bushing	1
32	H03001	挡圈15	Snap ring 15	2
33	10108003	送料轴挡圈	Feed rocker shaft snap ring	1
34	101S15002	螺钉SM1/4"x40 L=6	Screw SM1/4"x40 L=6	2
35	10403015	轴套	Bushing	1
36	H03001	挡圈15	Snap ring 15	1
37	10104007	抬牙叉形曲柄	Driving shaft crank	1
	10804003	抬牙叉形曲柄 (厚料、-7)	Driving shaft crank (H & -7)	1
38	116S11005	螺钉SM11/64"x40 L=13	Screw SM11/64"x40 L=13	1
38	101S11020	螺钉SM11/64"x40 L=10.5 (厚料、-7)	Screw SM11/64"x40 L=10.5 (H & -7)	1
39	11414002	送料牙	Feed dog	1
	11314001	送料牙 (厚料、-H-7)	Feed dog (H & -H-7)	1
	10814001	送料牙 (-7)	Feed dog (-7)	1
	10114051	送料牙 (HL)	Feed dog (HL)	1
40	470060	牙架	Feed bar asm	1
41	101S11016	螺钉SM3/16"x28 L=14	Screw SM3/16"x28 L=14	1
42	10128003	牙架座螺钉垫圈	Washer	1
43	101S11025	螺钉SM11/64"x40 L=7	Screw SM11/64"x40 L=7	1
44	10401007	牙架销	Feed bar pin	1
45	480095	牙架座	Feed bar bed	1
46	11380700300	牙架组件 (成品)	Feed bar asm	1
47	101S11018	螺钉SM1/8"x44 L=6	Screw SM1/8"x44 L=6	2
48	101S15010	螺钉SM15/64"x28 L=10.5	Screw SM15/64"x28 L=10.5	1
49	10126009	送料摆动板座右销	Left pin	1
50	10126007	短摆动板连杆销	Connecting pin	1
51	10109005	送料短摆动板	Feed short shaking plate	1
52	10109004	送料长摆动板	Feed long shaking plate	1
53	10126007	短摆动板连杆销	Connecting pin	1
54	1010100200	送料摆动板座分部件	Feed shaking plate bed components	1
55	10126010	送料摆动板座右销	Right pin	1
56	101S15010	螺钉SM15/64"x28 L=10.5	Screw SM15/64"x28 L=10.5	1
57	11427011	送料调节弹簧	Spring	1
58	11329020	挡圈5	Snap ring 5	1
59	11412081	拉簧固定板	Pull spring fixing plate	1
60	10127011	倒送料拉簧	Reverse feed pull spring	1
61	1140402700	倒送料曲柄组件	Feed reverse crank asm	1
	1130402800	倒送料曲柄组件 (-7)	Feed reverse crank asm (-7)	1
62	11321005	油管	Tube	1
63	114S30007	螺钉SM11/64"x40 L=7.5	Screw SM11/64"x40 L=7.5	1
64	114S16004	螺母SM11/64"x40 L=3	Nut SM11/64"x40 L=3	1
65	S01102	螺钉SM3/16"x28 L=18	Screw SM3/16"x28 L=18	1
66	11329020	挡圈5	Snap ring 5	1
67	10126015	送料距锁合销	Pin	1
68	10127010	送料距锁合簧	Spring	1

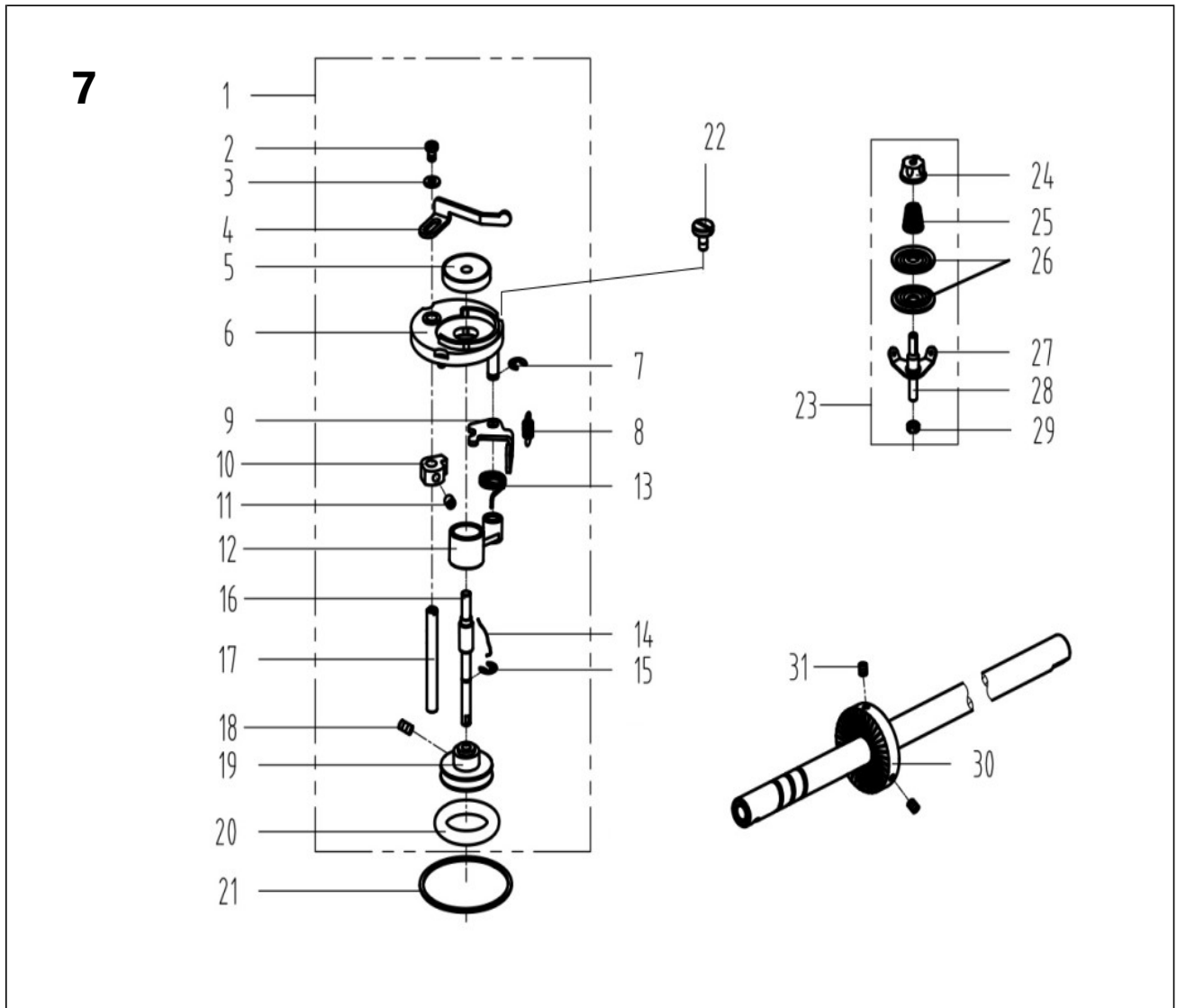
6



6. 润滑、油量检测组件/Oil Lubrication & Oil Measuring Components

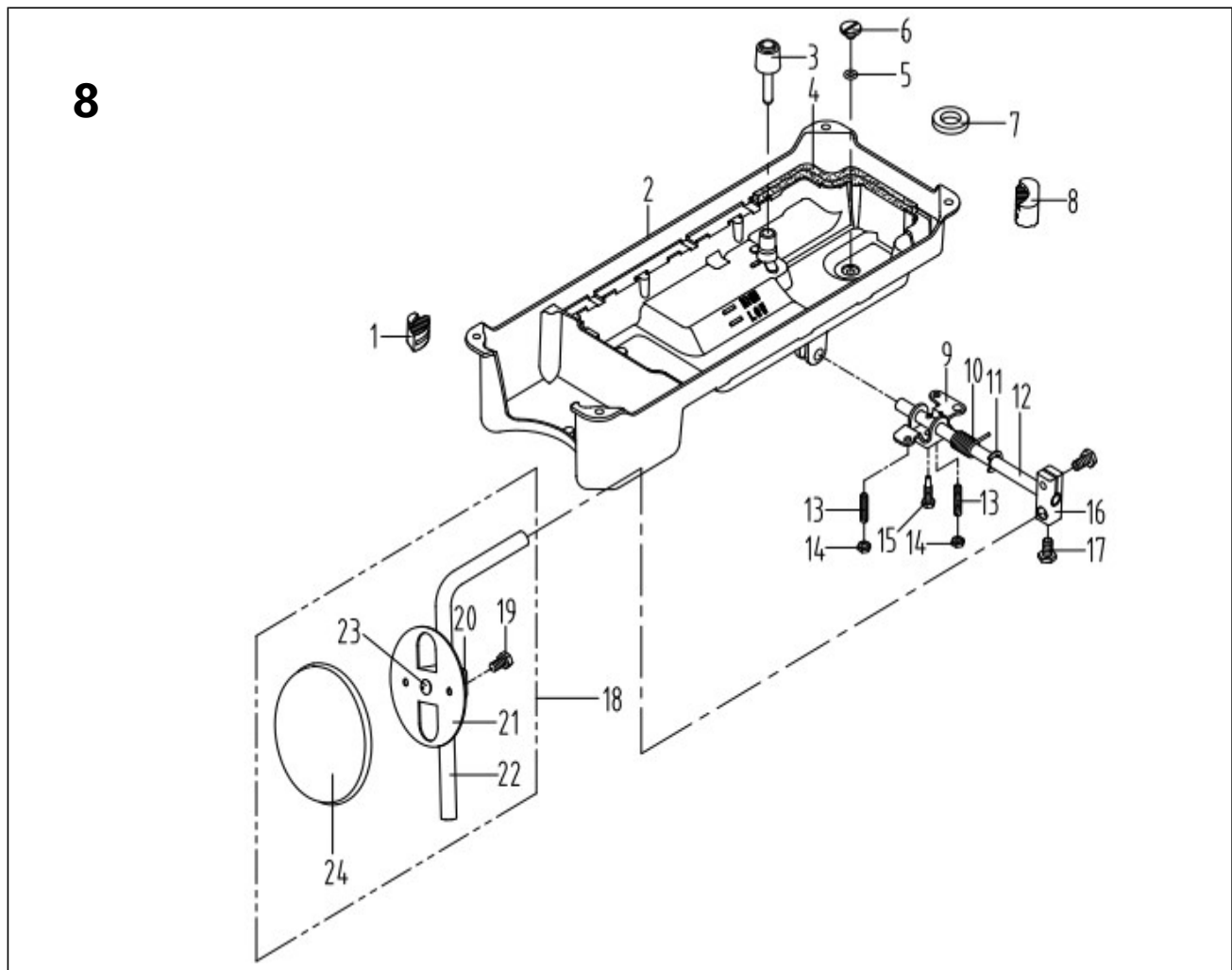
序号 NO	公司件号 Part NO	名称 PartName	零件描述 Description	数量 Number
1	11211004	油窗	Oil sight window	1
2	10122019	油窗O形圈	Rubber ring	1
3	11421008	上轴供油管	Main shaft oil tube	1
4	101S30008	油泵连接螺柱	Oil pump connecting stud	1
5	11329010	开口挡圈10	Snap ring 10	1
6	10121001	下轴供油管	Hook driving shaft oil tube	1
7	10112020	油泵安装板	Oil pump installing base	1
8	W03002	弹垫	Spring washer	1
9	101S11011	螺钉SM11/64"×40 L=9.5	Screw SM11/64"×40 L=9.5	1
10	10103022	油泵体衬套	Oil pump bushing	1
11	101S30007	柱塞螺钉	Plunger Screw	1
12	10127013	柱塞簧	Plunger spring	1
13	10122018	回油柱塞	Plunger	1
14	10120001	油泵体	Oil pump	1
15	S04093	螺钉M3 L=6	Screw M3 L=6	3
16	10111003	油泵叶轮	Oil pump impeller	1
17	10112021	油泵叶轮托板	Oil pump impeller cover	1
18	10111007	油泵盖	Lubricating oil pump cover	1
19	101S30006	螺钉ST2.9 L=10	Screw ST2.9 L=10	3
20	1012000100	油泵分部件	Lubricating oil pump component	1
21	101S11026	螺钉SM15/64"×28 L=9	Screw SM15/64"×28 L=9	1
22	10136001	供油管接头	Rubber joint	1
23	W02004	弹垫M6	Spring Washer M6	1
24	10121009	供油管	Hook oil tube	1
25	10112022	旋梭供油管压板	Tube holder	1
26	10127014	油量调节螺钉弹簧	Spring	1
27	101S30009	油量调节螺钉	Oil volume adjusting screw	1
28	10423005	油线	Oil wick	1
29	10127015	回油毡夹	Oil felt clamp	1

30	10123006	回油毡	Oil felt felt	1
31	101S11004	螺钉SM3/16"×28 L=7	Screw SM3/16"×28 L=7	1
32	10127015	回油毡夹	Oil tube clamp	1
33	11502100100	回油管部件	Oil return tube component	1
34	101S11026	螺钉SM15/64"×28 L=9	Screw SM15/64"×28 L=9	1
35	10112025	油线固定板	Oil wick fixing plate	1
36	101S11010	螺钉SM9/64"×40 L=11	Screw SM9/64"×40 L=11	2
37	10123010	油线	Oil wick	1



7. 绕线器组件/ Bobbin Components

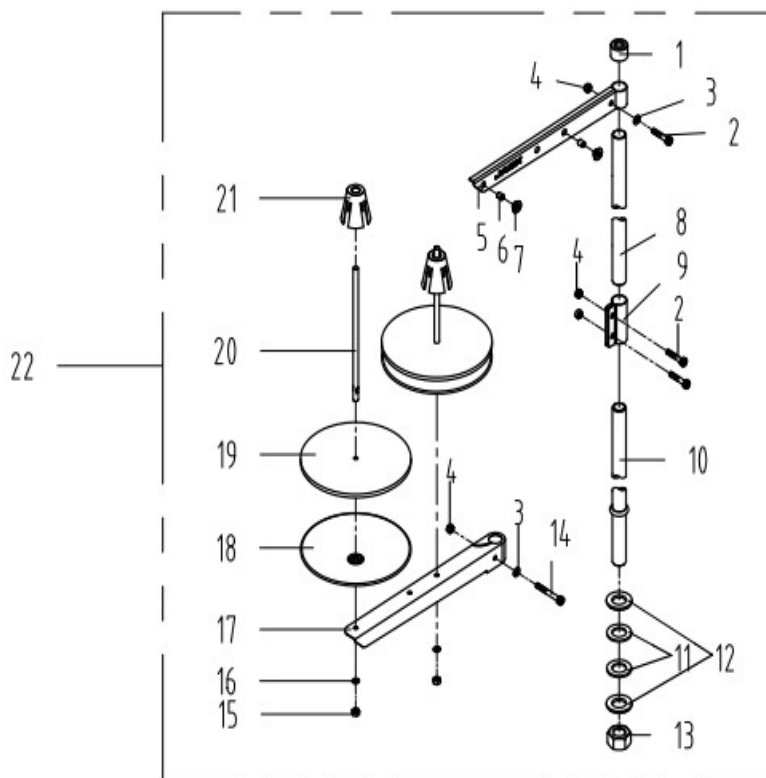
序号 NO	公司件号 Part NO	名称 PartName	零件描述 Description	数量 Number
1	1383103900	绕线器组件	Bobbin winder asm	1
2	114S11008	螺钉M4 L=6	Screw M4 L=6	1
3	W01142	垫圈4	Washer 4	1
4	10113030	压线控制板	Thread press control plate	1
5	10111120	绕线衬垫	Winding pad	1
6	13831101	绕线器装置主座	Bobbin winder bed	1
7	H05006	开口挡圈5	Snap ring	1
8	10127061	复位板拉簧	Spring	1
9	13812110	调节板	Regulating plate	1
10	10110030	绕线凸轮	Bobbin winder cam	1
11	S09045	螺钉M5 L=5	Screw M5 L=5	1
12	1380510600	绕线器连杆组件	Bobbin winder connecting rod	1
13	13827103	满线复位簧	Spring	1
14	10127060	弹簧	Spring	1
15	H05909	开口挡圈4	Snap ring 4	1
16	13802111	绕线器主轴	Bobbin winder mian shaft	1
17	13802026	绕线凸轮轴	Bobbin winder cam shaft	1
18	S09103	螺钉M4 L=4	Screw M4 L=4	2
19	13831102	绕线轮	Bobbin winder wheel	1
20	O01110	O型圈	Ring	1
21	11422062	密封垫	Washer	1
22	1102NS11001	螺钉SM3/16"×28 L=10	Screw SM3/16"×28 L=10	3
23	1381300600	底线夹线器	Bobbin thread tension asm.	1
24	138s16019	夹线螺母	Thread tension nut	1
25	11427006	小夹线弹簧	Spring	1
26	10112005	夹线板	Thread tension disk	2
27	11413022	夹线过线板	Thread tension guide plate	1
28	112S13004	夹线螺钉	Screw	1
29	114S16001	螺母SM11/64"×40	Nut SM11/64"×40	1
30	11435013	绕线器驱动轮	Driving wheel	1
31	S10009	螺钉M6 L=8	Screw M6 L=8	2



9. 油盘、抬压脚组件/Oil Reservoir & Knee Lifter Components

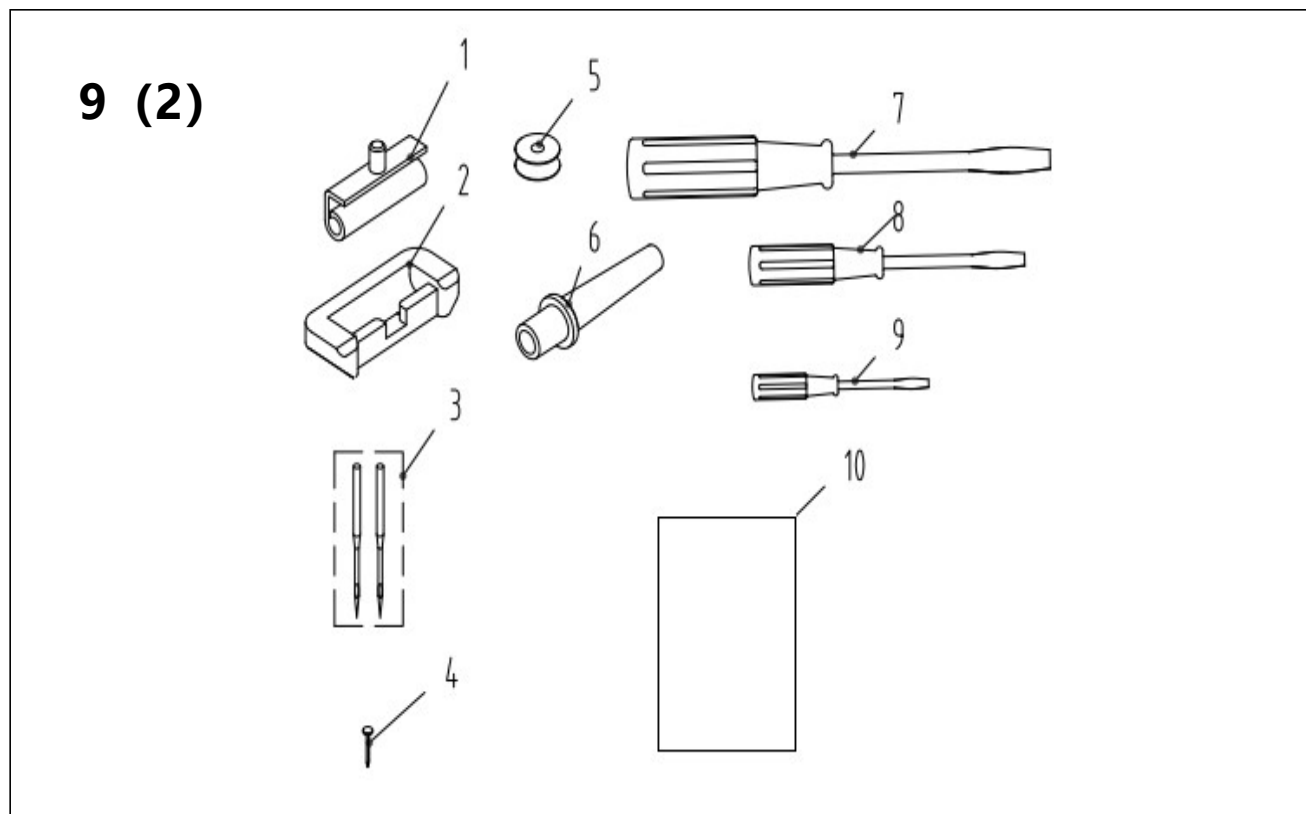
序号 NO	公司件号 Part NO	名称 PartName	零件描述 Description	数量 Number
1	10122022	油盘座垫	Oil reservoir rubber cushion	2
2	110201011	油盘	Oil reservoir	1
3	10111005	抬压脚顶杆	Knee lifter push rod	1
4	10122020	油盘垫	Oil Reservoir gasket	1
5	10122021	O形圈	Rubber ring	1
6	101S11028	螺钉SM5/16"×24 L=7	Screw SM5/16"×24 L=7	1
7	10131001	油盘磁铁	Oil reservoir magnet	1
8	10122023	油盘支架	Oil reservoir rubber cushion	2
9	10112027	抬压脚双向曲柄	Knee lifter crank	1
10	10127016	双向曲柄扭簧	Knee lifter spring	1
11	H05010	挡圈10	Snap ring 10	1
12	10102011	抬压脚轴	Knee lifter shaft	1
13	101S15012	螺钉M6 L=30	Screw M6 L=20	2
14	101S16004	螺母M6 L=4	Nut M6 L=4	2
15	101S12002	螺钉M6 L=26	Screw M6 L=26	1
16	10101008	抬牙脚操纵杆节头	Bearing bracket	1
17	101S12003	螺钉M8 L=16	Screw M8 L=16	1
18	1011202800	操纵杆组件	Knee press plate asm	1
19	101S12004	螺钉M6 L=11	Screw M6 L=11	1
20	10112030	操纵杆节头	Knee press plate holder	1
21	10112029	操纵板	Knee press plate	1
22	10112028	操纵杆	Knee press plate rod	1
23	10122025	操纵杆垫	Rubber	1
24	10122024	操纵板软垫	Knee press plate cover	1

9 (1)



9. 机头附件 (1) /Machine Head Accessories (1)

序号 NO	公司件号 Part NO	名称 PartName	零件描述 Description	数量 Number
1	20131019	棒帽	Stick cap	1
2	S04050	螺栓M5 L=16	Screw M5 L=16	3
3	W01047	平垫圈5	Washer 5	2
4	N01034	螺母M5	Nut M5	4
5	13831022	上线架过线杆	Spool rest arm upper	1
6	10113011	过线圈 (内)	Thread guide ring	2
7	10113010	过线圈 (外)	Thread guide ring	2
8	13831019	线架杆上节	Spool rest rod upper	1
9	13831021	线架杆接头	Spool rest rod joint	1
10	13831020	线架杆下节	Spool rest rod lower	1
11	10122106	橡胶垫圈	Spool rest rod rubber ring	2
12	W01052	平垫圈16	Washer 16	2
13	N02008	螺母M16	Nut M16	1
14	S04051	螺栓M5 L=31.5	Screw M5 L=31.5	1
15	N01034	螺母M5	Nut M5	2
16	W03002	弹簧垫圈 5	Spring washer 5	2
17	13831023	下线架过线杆	Spool rest arm lower	1
18	13831024	线盘	Spool rest	2
19	20131010	线盘垫	Spool rest cushion	2
20	20131006	线拖棒	Spool support rod	2
21	13831025	线固定套	Spool fixed seat	2
22	1383100300	线架组件	Thread stand asm.	1



9. 机头附件 (2) /Machine Head Accessories (2)

序号 NO	公司件号 Part NO	名称 PartName	零件描述 Description	数量 Number
1	1011203100	机头连接钩部件	Hinge component	2
2	10122060	机头连接钩座	Head connecting rubber cushion	2
3	10117012	机针 DBx1#14	Needle DBx1#14	10
	10117002	机针 DP×5#21 (厚料)	Needle DP×5#21 (H)	4
4	101S30010	机头连接钩座钉 (P19)	Shoe spike (p19)	6
5	10118003	梭心	Bobbin	1
	10818501	大梭心 (HL)	Big Bobbin (HL)	1
6	115011003	机头支柱	Machine head rest pin	1
7	20731047	螺丝刀 (大)	Screw driver (large)	1
8	10131003	螺丝刀 (中)	Screw driver (medium)	1
9	10131004	螺丝刀 (小)	Screw driver (small)	1
10	110211011	油袋	Oiler bladders	1

杰克科技股份有限公司

杰克缝纫机
全球销量遥遥领先

公司地址(Address of Company) :

中国浙江省台州市椒江区三甲东海大道东段1008号

NO.1008, DONGHAI AVENUE EAST, JIAOJIANG DISTRICT,TAIZHOU CITY, ZHEJIANG

邮编(Zip Code): 318000

国内销售部(Domestic Trade Department):

电话(TEL): 0086-0576-88177788 88177789

传真(FAX): 0086-0576-88177758

国贸销售部(International Trade Department):

电话(TEL): 0086-0576-88177782 88177774

传真(FAX): 0086-0576-88177787

服务热线: 400-8876858

<http://www.chinajack.com>

资料如有更改, 恕不另行通知, 以实物为准。

You will be not informed if the file has been revised.Please set sample as standard.

日期: 2022.04



请您扫下杰克服务号